

SATAKE

INFESTATION DESTROYER SEDC



The Infestation Destroyer SEDC is designed for installation in finished flour/ingredient blowlines. The violent action of the machine disintegrates any insects, eggs or larvae present in the flour. Allowing flour to be safely stored for longer periods, particularly in hot climates.

The machine has a 2 pole motor that directly drives the rotor. The normal rotor contains two rows of manganese steel impactor pins near the outer edge of the disc. In common with other continuous process machines, the SEDC operates most efficiently under even federate conditions.

Installation

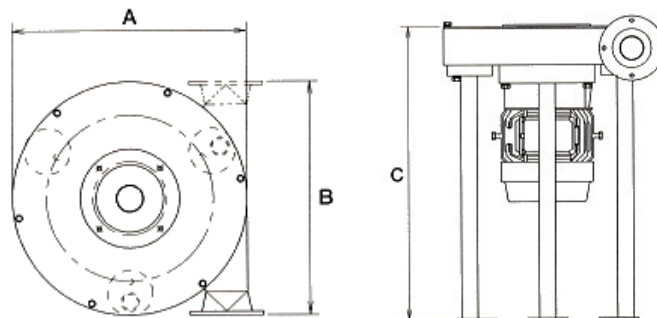
Machines are dynamically balanced to fine limits during manufacturing as matched units. No other site balancing is required. The machine axis must be truly horizontal or vertical when the machine is installed. Legs or stands are supplied to suit the required installation.

The machine should preferably be installed towards the end of the blowline and consideration should be given to positioning of the machine relative to the velocity of the product in the blowline.

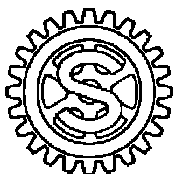
| Type | Capacity (t/h) | Motor (kW) | Weight (kg) | Dimensions (mm) | | |
|----------|----------------|------------|-------------|-----------------|-----|-----|
| | | | | A (Diam) | B | C |
| SEDC037A | 3.6 | 3.7 | 92 | 543 | 542 | 774 |
| SEDC055A | 5.4 | 5.5 | | | | |
| SEDC075A | 6.8 | 7.5 | | | | |
| SEDC110A | 9.0 | 11 | | | | |
| SEDC150A | 11.5 | 15 | | | | |
| SEDC185A | 13.6 | 18.5 | | | | |

Weight excludes motor
Dimension B excludes outlet

Dimension C includes standard legs but excludes inlet
Pressure Drop Across Machine: 0.035 bar / 0.5 psi g
Maximum Working pressure: 0.7 bar / 10 psi g



All Satake products are the subject of continuous development and, as a result, their specification may change and differ in detail from that outlined in this leaflet.



SATAKE AUSTRALIA Pty Ltd
23-25 Marigold Street
Revesby
2212 NSW
Australia

Telephone: +61 (0) 2 9774 1155
Facsimile: +61 (0) 2 9774 1248
E-mail: info@satake.com.au
Website: www.satake.com.au