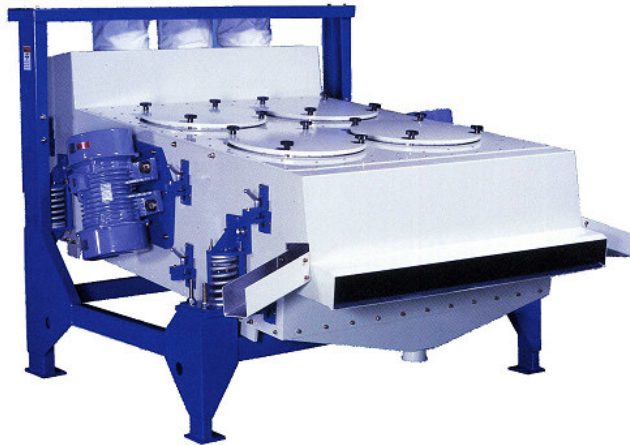


# MILLING SEPARATOR SFI



The Satake Milling Separator SFI is an all purpose separator designed for the efficient separation of large coarse material and small fine material during the cereal cleaning process.

The SFI can be adapted for use as a Silo Intake Separator and is also compatible with a Closed Circuit or Open Circuit Aspirator unit at the stock outlet.

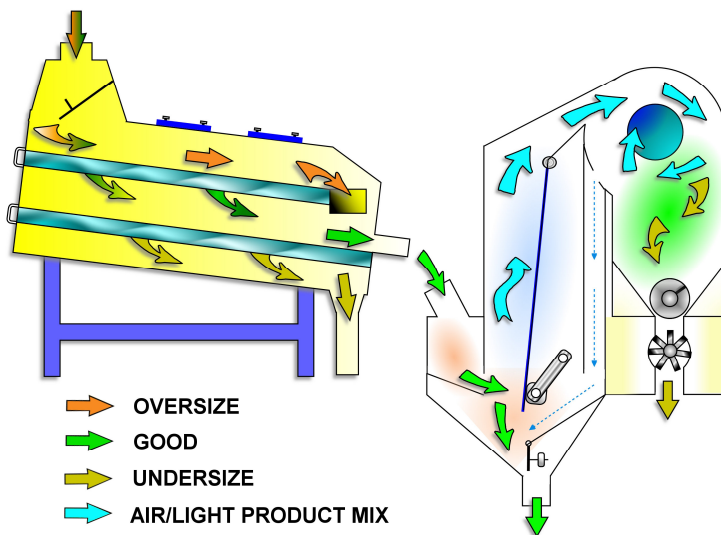
## SFI Features:

- Improved separation
- Increased sieve capacity
- Low maintenance requirement
- Easy sieve removal
- Easily removable inspection covers
- Simple and precise motor alignment

Stock enters the Separator and is evenly distributed across the width of the upper sieve. The reciprocating movement caused by the vibratory motors, moves the stock downwards across the screen surface and at the same time effectively directs the grain into a vertical position to pass through the perforated screens.

The Satake SFI has been designed to ensure that the stock moves more slowly down the sieve towards the outlet/tail end than at the inlet/head end. This results in overtailing stock lingering on the sieve, improving stock distribution and increasing sieve capacity.

Grain proceeds through the sieves and out into either an aspirator or hopper. Large, extraneous material is removed on each side of the machine while finer materials are directed to an outlet underneath.



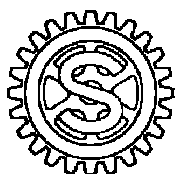
*Operation of SFI with Closed Circuit Aspirator Following*

An aspirator is normally installed after the Milling Separator.

This is used to remove dust and other light impurities. The simplest aspirator is the open circuit GLAB machine that is connected to a separate exhaust system of 87m<sup>3</sup>/min (size 1000) or 130m<sup>3</sup>/min (size 1500). Alternatively, the Closed Circuit Aspirator produces its own air and only requires a general exhaust connection of 6m<sup>3</sup>/min.



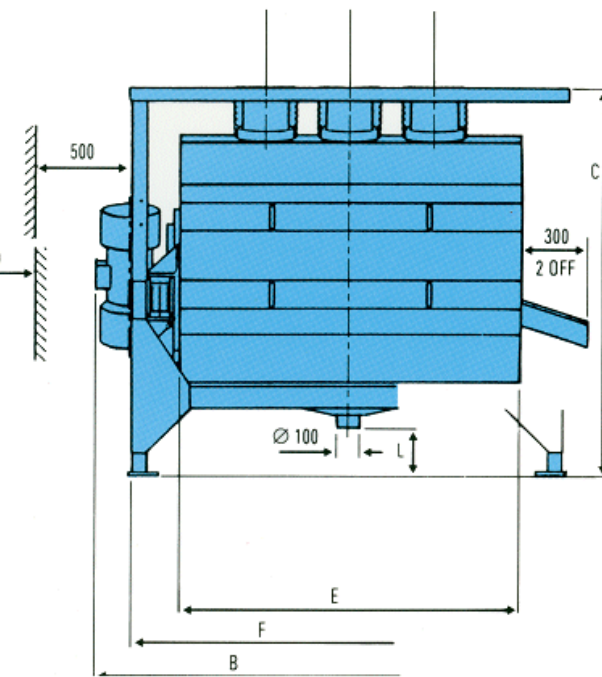
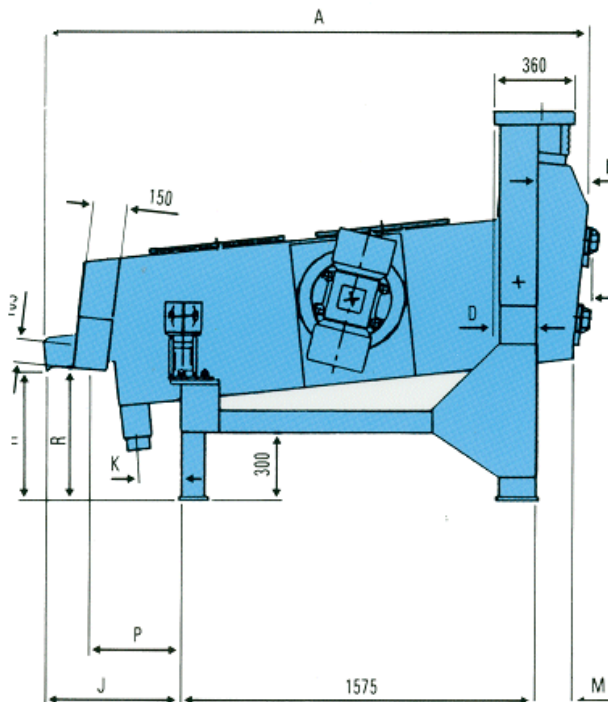
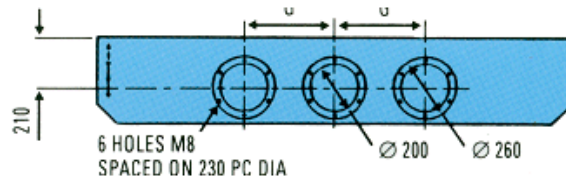
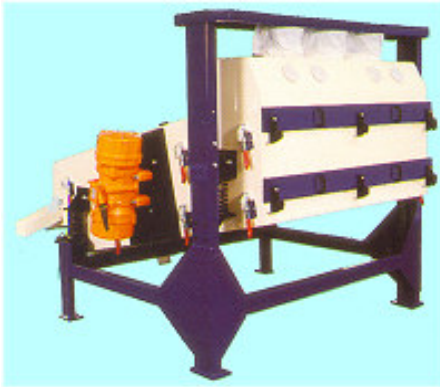
SCA Closed Circuit Aspirator



**SATAKE AUSTRALIA Pty Ltd**  
 15 Leland Street  
 Penrith  
 NSW 2750  
 Australia

Telephone: +61 (0) 2 4725 2600  
 Facsimile: +61 (0) 2 4725 2601  
 E-mail: [info@satake.com.au](mailto:info@satake.com.au)  
 Website: [www.satake.com.au](http://www.satake.com.au)

# MILLING SEPARATOR SFI

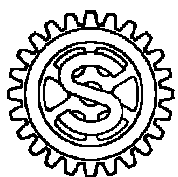


Model	Capacity t/hr		Sieve Size		Vibratory Motor				Exhaust	A		B		C		D	
	Mill	Silo	Width	Length	50Hz		60Hz		Cub M/min	Mill	Silo	Mill	Silo	Mill	Silo		
1000A	16	66	1000	2000	2x0.85	1000 rpm	2x1.1	900 rpm	10	2418	2338	1708		1768	1933	192	257
1500A	24	100	1500		2x1.9		2x1.8		12			2256					

Note: Capacity is based on material bulk density of 75kg/hl (60lbs/bushel)

Model	E		F		G		H		J		K		L		M		N		P		R	
	Mill	Silo	Mill	Silo	Mill	Silo	Mill	Silo	Mill	Silo	Mill	Silo	Mill	Silo	Mill	Silo	Mill	Silo	Mill	Silo	Mill	Silo
1000A	1010	1420	325	580	520	599	543	187	95	221	204	167	204	226	187	405	326	585	420			
1500A	1510	1920	375	574	510																	

All Satake products are the subject of continuous development and, as a result, their specification may change and differ in detail from that outlined in this leaflet.



**SATAKE AUSTRALIA Pty Ltd**  
15 Leland Street  
Penrith  
NSW 2750  
Australia

Telephone: +61 (0) 2 4725 2600  
Facsimile: +61 (0) 2 4725 2601  
E-mail: info@satake.com.au  
Website: www.satake.com.au