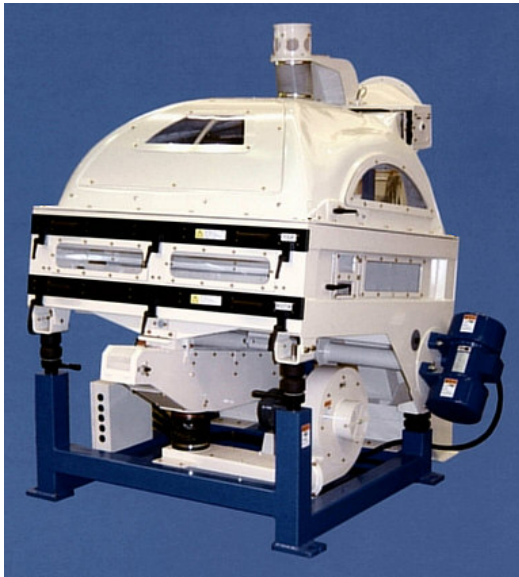


# GRAVITY SELECTOR SGA



The Satake Gravity Selector simplifies the cleaning of cereal grains such as wheat, rye, barley and rice. It can also be used for the cleaning of nuts and pulses.

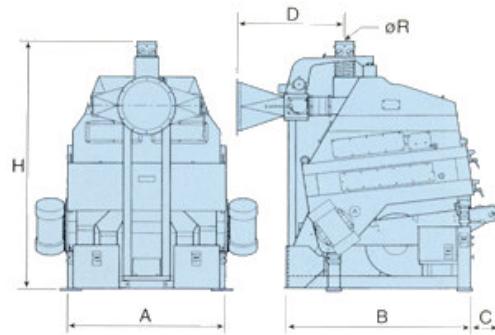
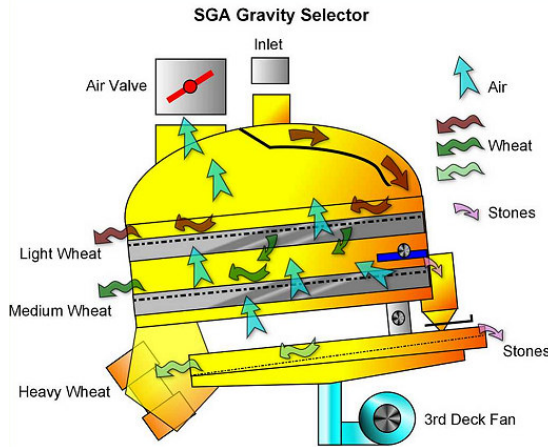
It separates the material into four groups by density:

1. Stones and other heavy impurities
2. Whole clean grain/product
3. Low density and damaged grains/product
4. Dust

The Satake Gravity Selector can be used to concentrate impurities for more efficient separation by subsequent machines.

## Unique Stone Discharge & Resort Mechanism

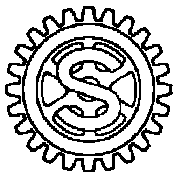
The discharged stone from primary sieves contains some good grain. This mixed fraction is sent to the secondary sieve using blowing air from a built-in fan where stones are concentrated and discharged.



Model		SGA5A	SGA10A	SGA15A
Capacity		6~9t/h (Wheat)	16~18t/h (Wheat)	26~30t/h (Wheat)
Required Power Supply	Vibratory Motor	0.35kWx2	0.6kWx2	0.6kWx2
	Fan	1.5kW	1.5kW	1.5kW
Weight		500kg	600kg	800kg
Exhaust Air Required M <sup>3</sup> /min		80 ~ 90	120 ~ 140	180 ~ 210
Exhaust Static Pressure		-60 ~ -70 mm Aq		

Dimensions: mm

Model	A	B	C	D	H	R
SGA5A	797	1,430	235	853	1,979	6"
SGA10A	1,240				2,029	
SGA15A	1,872				2,179	



**SATAKE AUSTRALIA Pty Ltd**  
15 Leland Street  
Penrith  
NSW 2750  
Australia

Telephone: +61 (0) 2 4725 2600  
Facsimile: +61 (0) 2 4725 2601  
E-mail: [info@satake.com.au](mailto:info@satake.com.au)  
Website: [www.satake.com.au](http://www.satake.com.au)