

Better Sanitation, Lower Maintenance

PURIFIER

SPU525B



The Satake SPU Purifier is a newly redesigned state-of-the-art purifier which uses vibratory action to efficiently remove bran from middlings and semolina. It represents another step forward in the evolution of Satake's flour milling technology, and boasts a number of significant improvements over previous models.

FEATURES:

1. Improved Sanitation

All flour-contacting parts are now stainless steel, and a new cyclone-shaped hood is used to minimize flour retention. Inspection windows have been installed on the feed box for easy cleaning.

2. Improved Purification

The redesigned hood provides more uniform stock feeding and aeration, improving purification performance.

3. Improved Maintenance

The consumable vibration-preventing rubber springs are now simpler to install and remove, reducing time needed for maintenance.

4. Improved Sampling

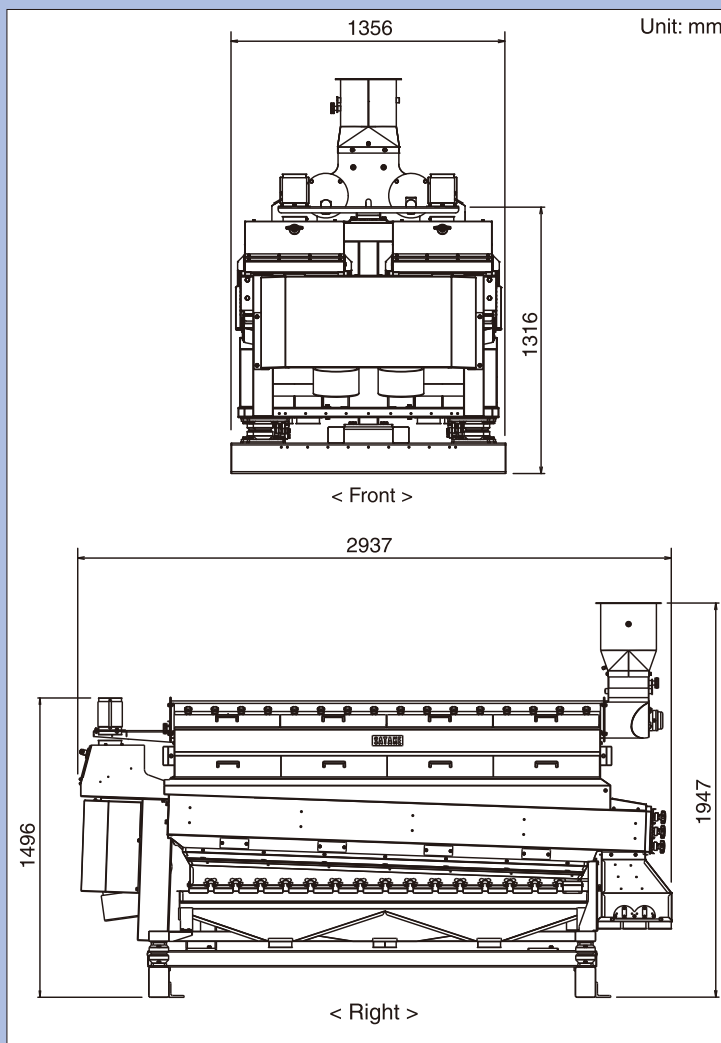
The space between the oscillating and conveying sections has been increased, improving sampling and other operating functions.

PURIFIER

Specifications

Model	SPU525B
Weight (kg)	1120 kg
Motor Rated Output	2 x 0.4 kW

Dimensions



All Satake products are the subject of continuous development and, as a result, their specification may change and differ in detail from those shown.

SATAKE CORPORATION

Head Office

2-30, Saijo-Nishihonmachi,
Higashi-Hiroshima, 739-8602, Japan
Tel : +81-82-420-8560/8539
Fax : +81-82-420-0865
e-mail : kg-hiroshima@satake-japan.co.jp
URL : www.satake-japan.co.jp

UK Division

P.O.Box 53, Bredbury, Stockport,
Cheshire, SK6 2FG, England
Tel : +44-161-406-3800
Fax : +44-161-406-3801
e-mail : sales@satake.co.uk
URL : www.satake.co.uk

Yangon Office

No.32, Pyay Road,
Hlaing Township, Yangon
Myanmar
Tel : +95-1-525077
Fax : +95-1-512742
e-mail : ygsatake@mptmail.net.mm

Beijing Office

Yu Yang Hotel, Room 920, Xin
Yuan Xi Li Street, Chao Yang
District, Beijing, 100027,
People's Republic of China
Tel : +86-10-8454-0146
Fax : +86-10-8454-0145

SATAKE USA INC.

10905 Cash Road,
Stafford, Texas 77477 U.S.A.
Tel : +1-281-276-3600
Fax : +1-281-494-1375
e-mail : rice@satake-usa.com
URL : www.satake-usa.com

SATAKE (CANADA) INC.

2550 Argenta Road, Suite 119
Mississauga, Ontario
L5N 5R1 Canada
Tel : +1-905-858-0791
Fax : +1-905-858-0957

SATAKE AMERICA LATINA LTDA.

Rua Xavantes, 155-Bairro
Atradores, CEP 89203-210,
Joinville, Santa Catarina, Brazil
Tel : +55-47-438-0413
Fax : +55-47-438-7932
e-mail : ricardo@satake.com.br

SATAKE INDIA ENGINEERING PVT. LTD.

4th Floor, Tower-1, HB Twin
Towers, A2, 3, 4-Netaji Subhash
Place, Wazirpur District Centre,
New Delhi, 110034, India
Tel : +91-11-41472626
Fax : +91-11-41472624

SATAKE (THAILAND) CO., LTD.

133 Moo 5, Bangkadi Industrial Park
Tivanon Road, Patumthani 12000
Thailand
Tel : +66-2-501-1180
Fax : +66-2-501-1188
e-mail : sataketh@asia.com

SATAKE INTERNATIONAL BANGKOK CO., LTD.

888/152 Mahatun Plaza Bld, 8th Floor
Ploenchit Rd., Lumpini Pathumwan
Bangkok 10330, THAILAND
Tel : +66-2-651-5845
Fax : +66-2-651-5848
e-mail : sataketh@asia.com

SATAKE MANUFACTURING (SUZHOU) CO., LTD.

229 Jin Feng Road, Suzhou
New District, Suzhou City,
Jiangsu Province P.R.China
Tel : +86-512-6536-8225
Fax : +86-512-6536-3004
URL : www.satake-suzhou.com.cn

SATAKE AUSTRALIA PTY. LTD.

15-17 Leland Street, Penrith,
NSW 2750 Australia
Tel : +61-2-4725-2600
Fax : +61-2-4725-2601
e-mail : info@satake.com.au
URL : www.satake.com.au

SATAKE CORPORATION has
obtained ISO 9001 and ISO
14001 certification.
These international standards
for management systems
ensure Satake will continue to
provide high quality products
and services.

ISO 9001 Certification
(Quality Management Systems)

ISO 14001 Certification
(Environmental Management Systems)