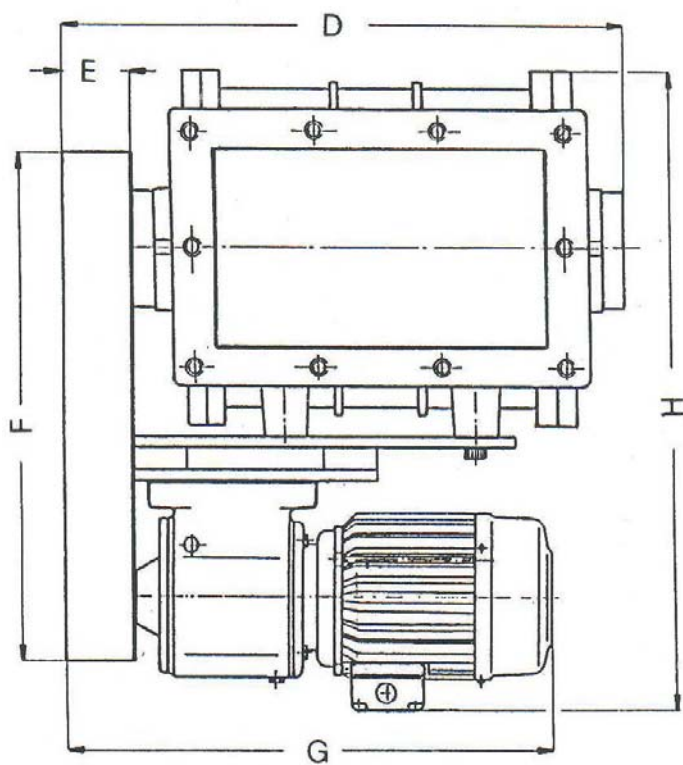
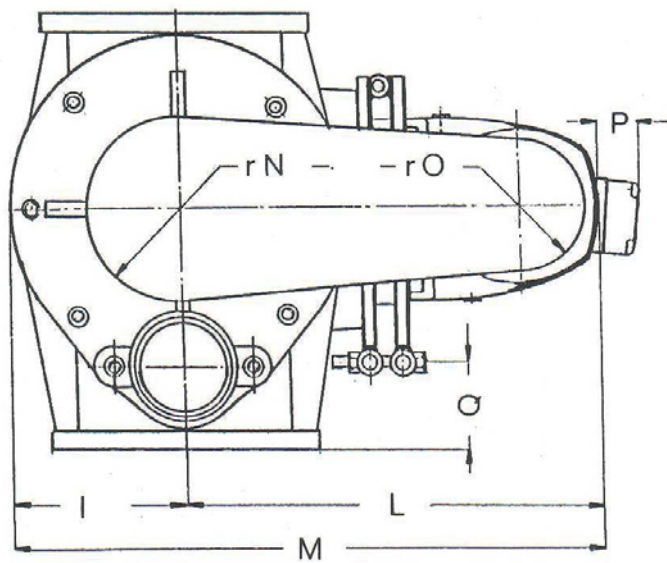
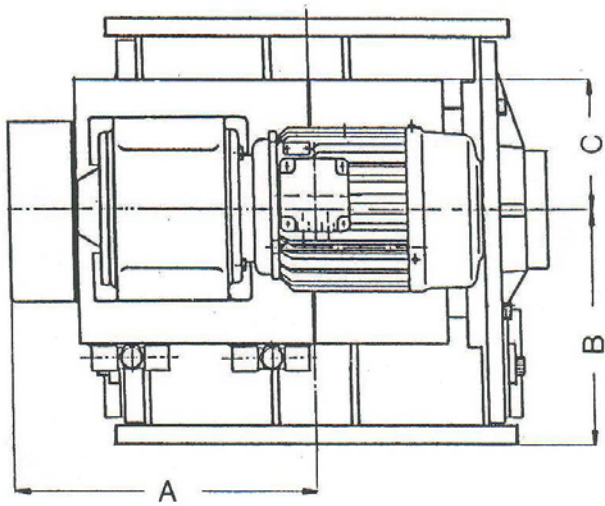


SF Rotary Valve



The blow through rotary valve type “SF” is particularly suitable for the feeding and pneumatic conveying of products in grain and powder and it can be used in all industrial sector involving pneumatic conveying lines with average/low pressure. In fact, for the particular construction, the several types of rotors and the minimum tolerances, it ensures excellent airlock and flowing in pneumatic transport. This valve has been studied to fit any type of product or special requirement of the customer. Manufactured in cast iron or stainless steel AISI316, it is equipped with flange connections on both sides and it is available with bare shaft or with motorisation consisting in gearmotor or variable speed gearmotor and complete drive with chain guard according to CE rules.



TIPO TYPE TYPE TYP	A	B	C	D	E	F	G*	H*	I	L*	M*	rN	rO	P	Q
SF180	252	140	100	418	83	450	492	485	115	325	440	60	60	45	23
SF230	290	174	120	483	94	530	510	540	140	355	495	81	67	45	36
SF270	315	213	130	533	94	550	510	578	158	375	533	93	67	45	68
SF300	353	248	140	608	94	594	554	671	181	440	621	102	67	50	80
SF350	452	290	150	778	123	704	600	745	215	475	690	177	72	55	125
SF450	535	368	200	943	123	754	676	920	275	590	865	152	87	55	153
SF600	634,5	446	225	1147	123	782,5	653	1056,5	339,5	636	975	152	87	81	175

*

These measures might change according to the type of the gearmotor