

Performance, Reliability and Food Quality Design

ROLLERMILL

SNR100A



SATAKE CORPORATION

ROLLERMILL

The Satake New Rollermill is designed to provide the following key improvements:

1. Performance

Improved grinding capability due to the high efficiency 4-pulley differential drive system and optimized feed distribution.

2. Simplified Maintenance

Quick and simple access for all maintenance activities. Roll replacement time and total cost of ownership significantly reduced.

3. Hygiene and Sanitation

Stainless steel contact parts, removable feeder assembly, detachable double walled sight feed unit for condensation prevention and raised configuration for total floor access. Oil-free differential power transmission.

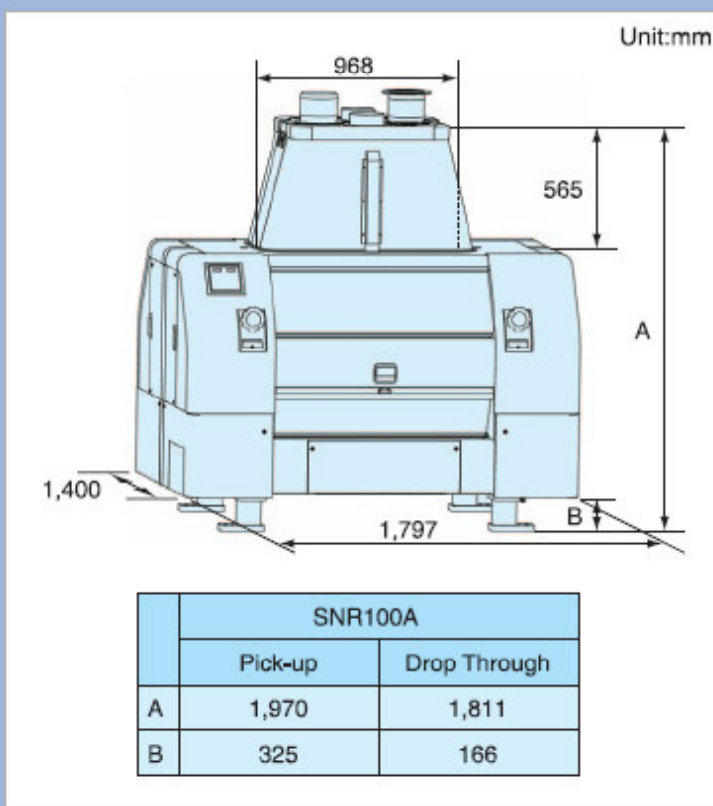
4. Safety

Complies with International Standards for safe operation. All moving parts enclosed within lockable guards. Lower noise emission.

Specifications

Model		SNR100A	
Type		Pick up	Drop Through
Required Power	Break	Max. 45 kW X 2	
	Reduction	Max. 30 kW X 2	
Revolution	Feed Roll	51 - 255 rpm	
	Main Roll	400 - 650 rpm	
Required Air for Exhaust		-	7 - 8 m ³ /min
Shipping Weight		3,800 kg	

Dimensions



All Satake products are the subject of continuous development and, as a result, their specification may change and differ in detail from those shown.

SATAKE CORPORATION is registered with ISO9001 standards for quality management systems and ISO14001 standards for environmental management systems.



SATAKE CORPORATION

Head Office

2-30, Saijo-Nishihonmachi, Higashi-Hiroshima, 736-8602, Japan
Tel: +81-82-420-8560/8539
Fax: +81-82-420-0865
e-mail: hiroshima@satake.jp
URL: www.satake-japan.co.jp

UK Division

P.O.Box 53, Bredbury, Stockport, Cheshire, SK6 2FG, England
Tel: +44-161-406-3800
Fax: +44-161-406-3801
e-mail: sales@satake.co.uk
URL: www.satake.co.uk

New Delhi Office

4th Floor, Tower-1, HB Twin Towers, A2, 3, 4-Nelaji Subhash Place, Wazirpur District Centre, New Delhi, 110034, India
Tel: 91-11-51472626
Fax: 91-11-51472620

Beijing Office

Room 203B, Chang Xin Building, No.39 An Ding Road, Chaoyang District, Beijing, P.R. China
Tel: +86-10-6443-3822
Fax: +86-10-6443-4188

Bangkok Office

133 Moo 5, Bangkadi Industrial Park Tivanon Road, Patumthani 12000 Thailand
Tel: +66-2-501-1223
Fax: +66-2-501-1225
e-mail: sataketh@asia.com

Yangon Office

No.4 Kanthaya Street, South Okkalapa Township, Yangon Myanmar
Tel: +95-1-578303
Fax: +95-1-570610

SATAKE USA INC.

10905 Cash Road, Stafford, Texas 77477 U.S.A.
Tel: +1-281-276-3800
Fax: +1-281-494-1375
e-mail: rice@satake-usa.com
URL: www.satake-usa.com

SATAKE AUSTRALIA PTY, LTD.

23-25 Marigold Street, Revesby, NSW 2212 Australia
Tel: +61-2-9774-1155
Fax: +61-2-9774-1248
e-mail: sataus@ozema.com.au
URL: www.satake.com.au

SATAKE (THAILAND) CO., LTD.

133 Moo 5, Bangkadi Industrial Park Tivanon Road, Patumthani 12000 Thailand
Tel: +66-2-501-1180
Fax: +66-2-501-1188
e-mail: sataketh@asia.com

SATAKE MANUFACTURING (SUZHOU) CO., LTD.

Jin Feng Road, Suzhou New District, Suzhou City, Jiangsu Province P.R.China
Tel: +86-512-6536-8225
Fax: +86-512-6536-3004
URL: www.satake-suzhou.com.cn

SATAKE (CANADA) INC.

2560 Argenta Road, Suite 119 Mississauga, Ontario L5N 5R1 Canada
Tel: +1-905-858-0791
Fax: +1-905-858-0057

SATAKE AMERICA LATINA LTDA.

Rua Xavantes, 155-Bairro Atradores, CEP 89203-210, Joinville, Santa Catarina, Brazil
Tel: +55-47-438-0413
Fax: +55-47-438-7932
e-mail: ricardo@satake.com.br

